

POWERNAIL[®] CO.

1300 Rose Road, Lake Zurich, IL 60047

Phone: 1-800-323-1653

Website: www.powernail.com

Operation and Maintenance Manual

MODEL 45 TONGUE AND GROOVE NAILER

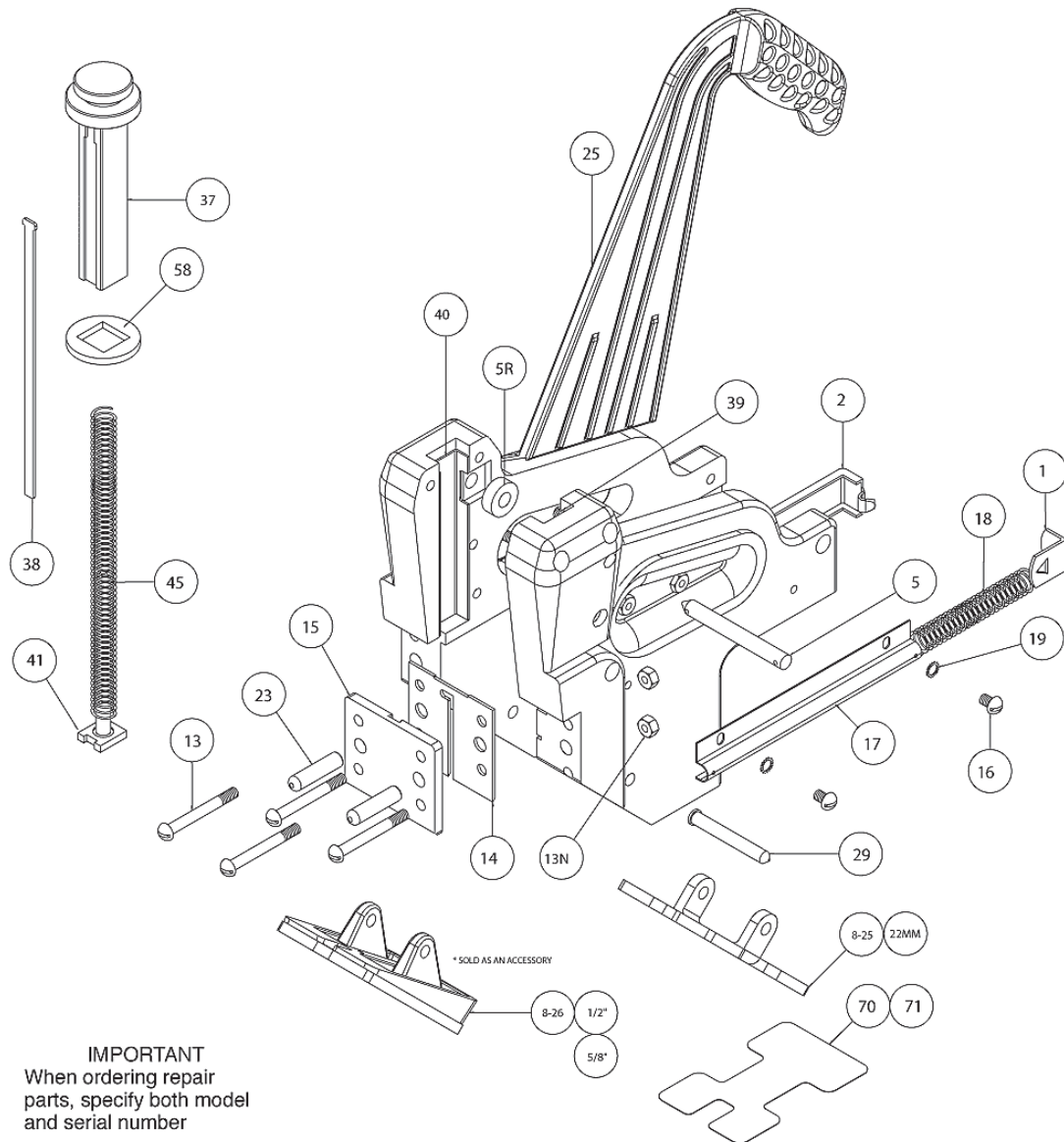


WARNING

Read this manual before you use this Nailer. Follow all safety warnings and instructions. If you are uncertain about the operation of the Nailer, call us directly at 1-800-323-1653 for assistance or contact the closest Powernail Dealer for help. Please retain this information for future reference.

REV 4.08

MODEL 45 EXPLODED VIEW



IMPORTANT
When ordering repair parts, specify both model and serial number

MODEL 45 PARTS LIST

ITEM #	PART NO.	DESCRIPTION	QTY REQ'D	KEY	Assembly or Kit
1	08-45-00-010	SPRING CLIP	1	S/K	TU / OVH
2	08-45-00-020	FEEDER CHANNEL	1	S/K	OVH
5	08-45-00-050	ROLLER PIN ASSEMBLY	1	S/K	OVH
5R	08-45-00-05R	ROLLER	1	S/K	OVH
13	08-45-00-130	FOOT SCREW	4	S/K	OVH
13N	08-45-00-13N	LOCKNUT	4	S/K	OVH
14	08-45-00-140	GATE	1	S	
15	08-45-00-150	FOOT	1	S	
16 & 19	08-45-00-160	SCREW & WASHER SET FOR SPRING CONT. (2 EA)	1	S/K	OVH
17	08-45-00-170	SPRING CONTAINER	1	S/K	OVH
18	08-45-00-180	FEEDER SPRING	1	S/K	TU / OVH
23	08-45-00-230	DOWEL PIN	2	S	
25	08-45-00-250	HANDLE ASSEMBLY	1	S	
29	08-45-00-290	ADAPTER PLATE PIN ASSEMBLY	1	S	
37	07-45-00-370	PLUNGER	1	S/K	OVH
38	08-45-00-380	DRIVING BLADE	1	S/K	TU / OVH
39	08-45-00-400	LEFT PLUNGER LINER	1	S	
40	08-45-00-390	RIGHT PLUNGER LINER	1	S	
41	08-45-00-410	PLUNGER SPRING PIN	1	S/K	OVH
45	08-45-00-450	PLUNGER SPRING	1	S/K	TU / OVH
58	08-45-00-580	BLADE RETAINER	1	S/K	TU / OVH
70	06-99-720	#825 NO-MAR PAD (STICK-ON) .015 THICK	1	S	
# 8-25	06-99-010	#825 ADAPTER PLATE ASSEMBLY FOR 3/4" T&G	1	S	

KEY: S=Sold Separately, TU=Sold as part of a Tune Up Kit, OV=Sold in an Overhaul Kit

MODEL 45 ACCESSORIES

ITEM #	PART NO.	DESCRIPTION	QTY. REQ'D
# 8-26	06-99-040	#826 ADAPTER PLATE ASSEMBLY FOR 1/2" T&G	1
# 8-26	06-99-04A	#826 ADAPTER PLATE ASSEMBLY FOR 5/8" T&G	1
# 8-25	06-99-04B	#825 ADAPTER PLATE ASSEMBLY FOR 22MM T&G	1
71	06-99-721	#825 NO MAR PAD (STICK-ON) .060 THICK (ACCESSORY)	1
72	08-45-TU-KIT	MODEL 45 TUNE-UP KIT	1
73	08-45-OVH-KIT	MODEL 45 OVERHAUL KIT	1
74	06-99-430	NAILER SHOE WITH ADAPTER ASSEMBLY	1

REPLACING #38 DRIVING BLADE

1. Remove #5 Roller Pin--save Cotter Pin.
2. Holding Nailer in left hand with Nailer tilted so rear of Nailer is down, depress #37 Plunger Head slightly so #5R Roller is released from Plunger Head.
3. Remove #37 Plunger Head from Body of Nailer by lifting straight out of Body.
4. Remove #38 Driving Blade from under #58 Rubber Blade Retainer. Discard Blade.
5. Insert new #38 Driving Blade with face of Blade stamped "Front" facing front of Nailer, under #58 Rubber Blade Retainer until the "T" section at top of Blade fits into milled slot under Plunger Head. Push #58 Rubber Blade Retainer flush to underside of Plunger Head.
6. Holding Nailer in left hand with Nailer so rear of Nailer is down, slowly insert Plunger Head and Driving Blade Assembly into Nailer Body, making certain the #45 Plunger Spring is inserted into hole in Plunger Head.
7. While in this position, reinsert the #5 Roller Pin and Cotter Pin.
8. Installation is complete and Nailer is ready to use.

POWERCLEAT® NAIL LENGTH CHART

This chart will assist you in determining the proper length of Powercleat® nails to use for various thicknesses of flooring when sub-flooring member varies as to species and thickness. Vertical penetration of the Powercleat® nails under the hardwood floor is shown for each application. This is only a guide. Results should be tested in the field before proceeding.

